

MTG Valves & Actuators



Screwed End Ball Valves

2006SW

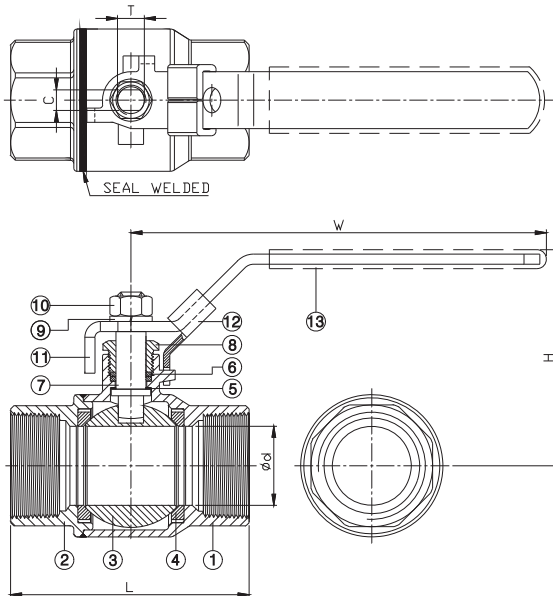
1000 W.O.G./PN63 2-PIECE FULL PORT

VMTM2006SWRSS



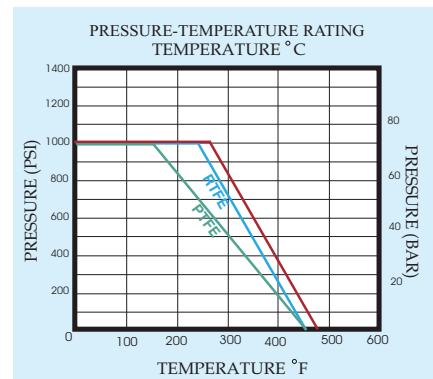
FEATURES

- Investment casting
- Blow-out proof stem
- Lock device handle
- Seal welded ends
- TA-Luft approved
- Thread type
ASME B1.20.1 (NPT)
DIN 2999 & BS21
ISO 228/1 & ISO 7/1



ITEM	PARTS	MATERIAL
1	BODY	ASTM A351-CF8M
2	CAP	
3	BALL	RTFE
4	BALL SEAT	
5	THRUST WASHER	PTFE
6	PACKING	
7	STEM	ASTM A276-316
8	GLAND RING	AISI304
9	SPRING WASHER	
10	STEM NUT	
11	HANDLE	
12	LOCK DEVICE	PVC
13	HANDLE SLEEVE	

	DN	d	L	H	W	C	T	Weight(kg)	Torque (N-M)	
									Action	Breakaway
PN63	8	11.5	50	48	102	5	5/16"-18UNC	0.16	2.9	3.7
	10	12.5	50	48	102	5	5/16"-18UNC	0.18	3.1	4.2
	15	15	58	51	102	5	5/16"-18UNC	0.22	3.5	4.5
	20	20	66	57	129	6.5	3/8"-16UNC	0.34	6	9
	25	25	75.5	63	129	6.5	3/8"-16UNC	0.5	6	12
	32	32	88.5	74	153	8	7/16"-14UNC	0.9	7.5	18.5
	40	38	98.5	81	153	8	7/16"-14UNC	1.07	16.5	27
50	50	120	94	190	9	1/2"-12UNC	1.82	23	35	
unit:mm										
	NPS	d	L	H	W	C	T	Weight(lb)	Torque (in-lb)	
									Action	Breakaway
1000WOG	1/4"	0.45	1.97	1.89	4.02	0.2	5/16"-18UNC	0.35	25.67	32.75
	3/8"	0.49	1.97	1.89	4.02	0.2	5/16"-18UNC	0.4	27.44	37.17
	1/2"	0.59	2.28	2.01	4.02	0.2	5/16"-18UNC	0.49	30.98	39.83
	3/4"	0.79	2.6	2.24	5.08	0.26	3/8"-16UNC	0.75	53.10	79.66
	1"	0.98	2.97	2.48	5.08	0.26	3/8"-16UNC	1.1	53.10	106.21
	1-1/4"	1.26	3.48	2.91	6.02	0.31	7/16"-14UNC	1.98	66.38	163.74
	1-1/2"	1.5	3.88	3.19	6.02	0.31	7/16"-14UNC	2.36	146.04	238.97
	2"	1.97	4.72	3.7	7.48	0.35	1/2"-12UNC	4.01	203.57	309.77



Mid-States Supply Co Inc.

Process Piping / Automation / Controls / Steam Specialties / IT Solutions



www.MidcoOnline.com

Designed, engineered, and manufactured by Haitima Corp.