



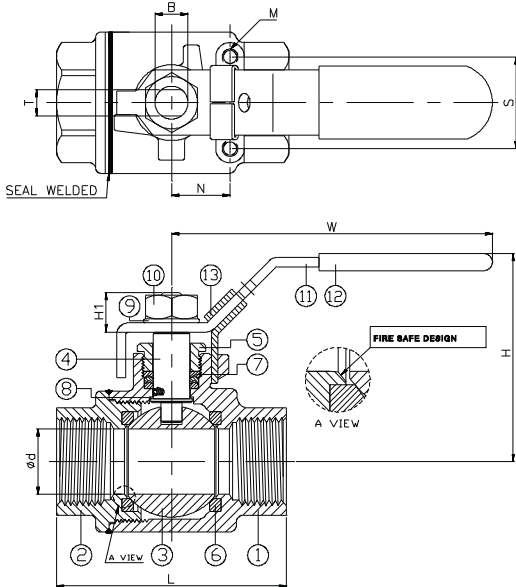
## Screwed End Ball Valves

# 2006WB

2-PIECE FULL PORT

★ API 607 Fire Safe Approved

VMTM2006WBF SS OR CS



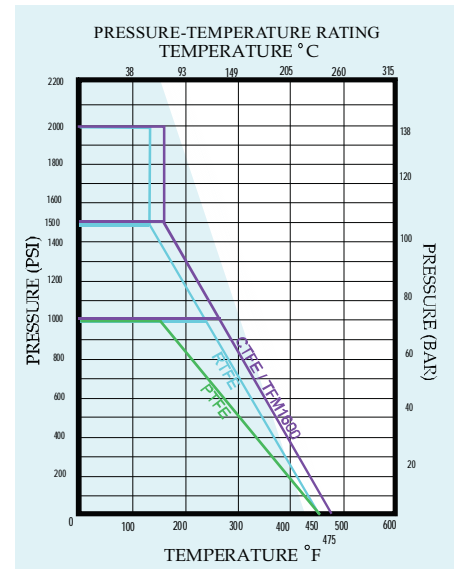
### FEATURES

- Investment casting
- Blow-out proof stem
- Anti-static device
- Lock device handle
- With tapped & drilled mounting pad
- ASME B16.34 wall thickness
- Seal Welded Body
- Thread type  
ASME B1.20.1 (NPT)  
DIN 2999 & BS21  
ISO 228/1 & ISO 7/1

ITEM	PARTS	MATERIAL	
		1	BODY
2	CAP		
3	BALL	ASTM A351-CF8M	
4	STEM	ASTM A276-316	
5	GLAND NUT	AISI 304	
6	BALL SEAT	TFM	
7	PACKING	GRAPHITE	
8	THRUST WASHER	CTFE	
9	SPRING WASHER		
10	NUT	AISI 304	
11	HANDLE		
12	HANDLE SLEEVE	PVC	
13	LOCK DEVICE	AISI 304	

PN	DN	d	L	W	H	H1	B	T	N	S	M	Torque (N-M)		Weight kg
												Action	Breakaway	
												PN150	8	11.6
	10	12.8	60.5	102	53.6	10.5	5/16"	5	12.5	28.2	1/4"-20UNC	3.77	6.4	0.36
	15	15	62.5	102	57	10.5	5/16"	5	12.5	28.2	1/4"-20UNC	3.77	6.4	0.41
	20	20.2	77	124	62.1	13.5	3/8"	6.5	21	34.7	1/4"-20UNC	3.77	6.4	0.75
	25	25.6	90	165	80	15.7	7/16"	8	23.2	34.7	1/4"-20UNC	7.67	11.4	1.32
	32	32	100	165	83.7	15.7	7/16"	8	23.2	34.7	1/4"-20UNC	19.5	28.6	1.66
	40	38	118	188	99	17	1/2"	9	23.2	38.1	1/4"-20UNC	19.5	32.5	2.51
	50	50.8	138	188	107	17	1/2"	9	23.2	38.1	1/4"-20UNC	20.8	44.2	4.08
	65	65.5	167	250	142	27.5	3/4"	12	35	55	1/4"-20UNC	-	-	-
	80	80	193	250	153	27.5	3/4"	12	35	55	5/16"-18UNC	-	-	-
	100	100	258	324	180	34	1"	16	52	60	5/16"-18UNC	-	-	-

WOG	NPS	d	L	W	H	H1	B	T	N	S	M	Torque (in-lb)		Weight lb
												Action	Breakaway	
												2000	1/4"	0.46
	3/8"	0.5	2.38	4.02	2.11	0.41	5/16"	0.2	0.49	1.11	1/4"-20UNC	33.37	56.64	0.79
	1/2"	0.59	2.46	4.02	2.24	0.41	5/16"	0.2	0.49	1.11	1/4"-20UNC	33.37	56.64	0.9
	3/4"	0.8	3.03	4.88	2.44	0.53	3/8"	0.26	0.83	1.37	1/4"-20UNC	33.37	56.64	1.65
	1"	1.01	3.54	6.5	3.15	0.62	7/16"	0.31	0.91	1.37	1/4"-20UNC	67.88	100.9	2.91
	1-1/4"	1.26	3.94	6.5	3.3	0.62	7/16"	0.31	0.91	1.37	1/4"-20UNC	172.59	253.13	3.66
	1-1/2"	1.5	4.65	7.4	3.9	0.67	1/2"	0.35	0.91	1.5	1/4"-20UNC	172.59	287.65	5.53
	2"	2	5.43	7.4	4.21	0.67	1/2"	0.35	0.91	1.5	1/4"-20UNC	184.09	391.2	8.99
	2-1/2"	2.58	6.57	9.84	5.59	1.08	3/4"	0.47	1.38	2.17	1/4"-20UNC	-	-	-
	3"	3.15	7.6	9.84	6.02	1.08	3/4"	0.47	1.38	2.17	5/16"-18UNC	-	-	-
	4"	3.94	10.16	12.76	7.09	1.34	1"	0.63	2.05	2.36	5/16"-18UNC	-	-	-



## Mid-States Supply Co Inc.

Process Piping / Automation / Controls / Steam Specialties / IT Solutions



www.MidcoOnline.com

Designed, engineered, and manufactured by Haitima Corp.

042110rv2