



Screwed End Ball Valves

2007A

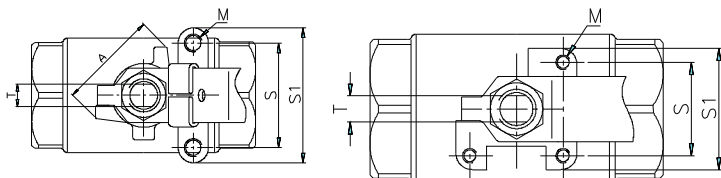
2-PIECE STANDARD PORT

VMTM2007ARSS



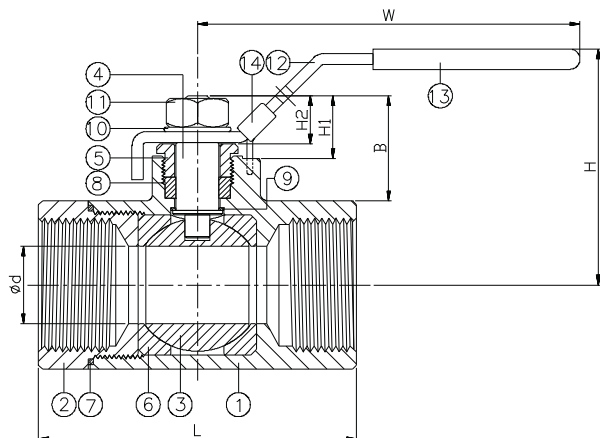
FEATURES

- Investment casting
- Blow-out proof stem
- Anti-static device (option)
- Lock device handle
- With tapped & drilled mousing pad
- Thread type
ASME B1.20.1 (NPT)
DIN 2999 & BS21
ISO 228/1 & ISO 7/1



1/4" - 1"

1-1/4" - 2"



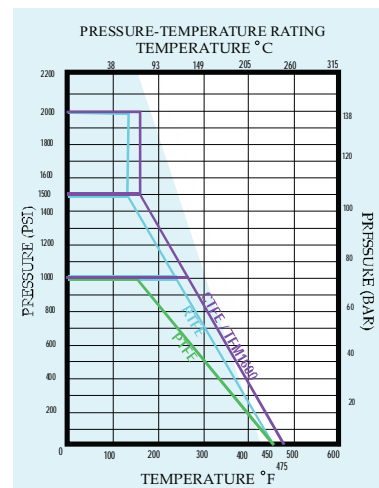
ITEM	PARTS	MATERIAL
1	BODY	ASTM A351-CF8M
2	CAP	
3	BALL	
4	STEM	ASTM A276-316
5	GLAND NUT	AISI 304
6	BALL SEAT	RTFE
7	BODY SEAL	PTFE
8	PACKING	
9	THRUST WASHER	AISI 304
10	SPRING WASHER	
11	NUT	
12	HANDLE	PVC
13	HANDLE SLEEVE	
14	LOCK DEVICE	AISI 304

	DN	d	L	W	H	H1	H2	A	B	S	S1	M	T	Torque N-m
PN150	20	17.5	79	123	62	19	14	34	30	34.7	45	M5*P0.8	6.3	6.8
	25	22.3	85	123	67	19	14	34	30	34.7	45	M5*P0.8	6.3	11
PN100	32	25.4	102	144	84	29.5	19	-	-	35.6	51	M6*P1.0	9.5	17.4
	40	31.8	111	144	89	29.5	19	-	-	35.6	51	M6*P1.0	9.5	22.7
	50	38.1	137	180	94	29.5	19	-	-	35.6	51	M6*P1.0	9.5	39.5

unit : mm

	NPS	d	L	W	H	H1	H2	A	B	S	S1	M	T	Torque in-lb
2000 WOG	3/4"	0.69	3.11	4.84	2.44	0.75	0.55	1.34	1.18	1.37	1.77	M5*P0.8	0.25	60
	1"	0.88	3.35	4.84	2.64	0.75	0.55	1.34	1.18	1.37	1.77	M5*P0.8	0.25	97
1500 WOG	1-1/4"	1	4.02	5.67	3.31	1.16	0.75	-	-	1.4	2.01	M6*P1.0	0.37	154
	1-1/2"	1.25	4.37	5.67	3.5	1.16	0.75	-	-	1.4	2.01	M6*P1.0	0.37	201
	2"	1.5	5.39	7.09	3.7	1.16	0.75	-	-	1.4	2.01	M6*P1.0	0.37	350

unit : in



Mid-States Supply Co Inc.

Process Piping / Automation / Controls / Steam Specialties / IT Solutions

www.MidcoOnline.com

