

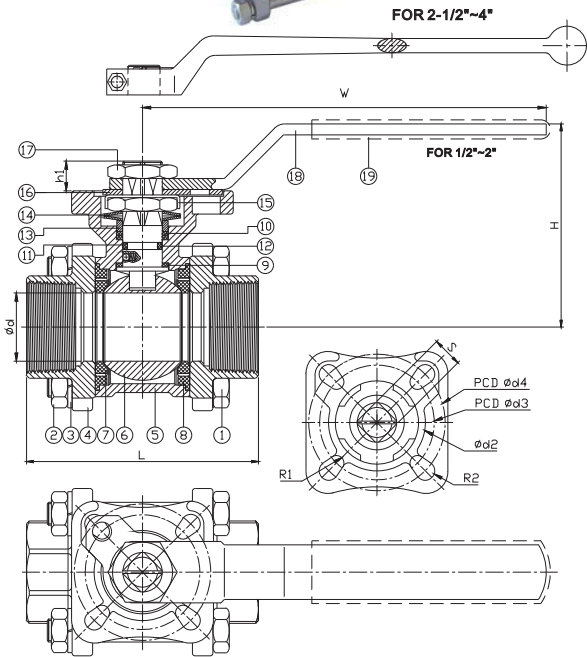


VMTM2013NDFCS/SS

FEATURES



- Full port, 1/2"~4" (DN15~DN100)
 - W.P. : 1000 WOG (PN63)
 - W.T. : -20°C~200°C (-4°F~392°F)
 - Investment casting
 - Blow-out proof stem
 - Live-loading device
 - Locking device
 - Anti-static device
 - ISO 5211 Direct mounting pad
 - Length conform to DIN 3202/4-M3-2013ND-M3 (option)
 - Automation accessories (option)
- Thread type : ASTM B1.20.1 (NPT)
DIN2999 & BS21
ISO228/1 & ISO7/1



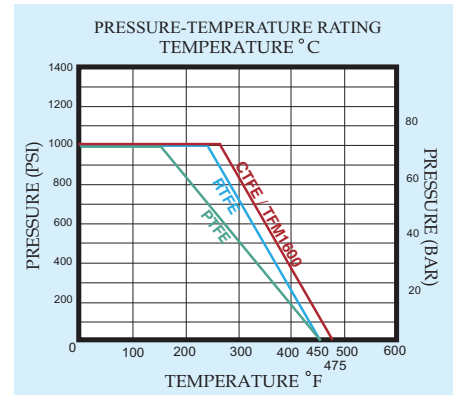
ITEM	PARTS	MATERIAL
1	BOLT	AISI 304
2	NUT	
3	SPRING WASHER	
4	CAP	ASTM A351-CF8M
5	BODY	
6	BALL	TFM
7	SEAT	
8	SEAL	PTFE
9	THRUST WASHER	
10	PACKING	VITON
11	O-RING	
12	STEM	ASTM A276-316
13	GLAND RING	AISI 304
14	BELLEVILLE WASHER	AISI 301
15	LOCKING WASHER	AISI 304
16	LOCKING DEVICE	
17	STEM NUT	
18	HANDLE	
19	HANDLE SLEEVE	PVC

DN	d	L	H	W	S	h1	d2	d3	d4	R1	R2	Torque (N-M)
15	15	65	60	120	9	8.5	31	36	42	2.75	2.75	7.5
20	20	75	64									11
25	25	85	74									14
32	32	101	79	148	11	11	35.5	42	50	2.75	3.5	21
40	38	112	95									27
50	50	130	103									50
65	63	162	123	340	17	20.5	76	70	102	4.5	5.5	85
80	76	188	131.5									97
100	96	224	165.5									150

unit:mm

NPS	d	L	H	W	S	h1	d2	d3	d4	R1	R2	Torque (in-lb)
1/2"	0.59	2.56	2.36	4.72	0.35	0.33	1.22	1.42	1.65	0.11	0.11	66.38
3/4"	0.79	2.95	2.52									97.36
1"	0.98	3.35	2.91									123.91
1-1/4"	1.26	3.98	3.11	5.83	0.43	0.43	1.4	1.65	1.97	0.11	0.14	185.86
1-1/2"	1.5	4.41	3.74									238.97
2"	1.97	5.12	4.06									442.54
2-1/2"	2.48	6.38	4.84	13.39	0.67	0.81	2.99	2.76	4.02	0.18	0.22	752.31
3"	2.99	7.4	5.18									858.52
4"	3.78	8.82	6.52									1327.61

unit:in



Mid-States Supply Co Inc.

Process Piping / Automation / Controls / Steam Specialties / IT Solutions



www.MidcoOnline.com

Designed, engineered, and manufactured by Haitima Corp.

042110_rv1