

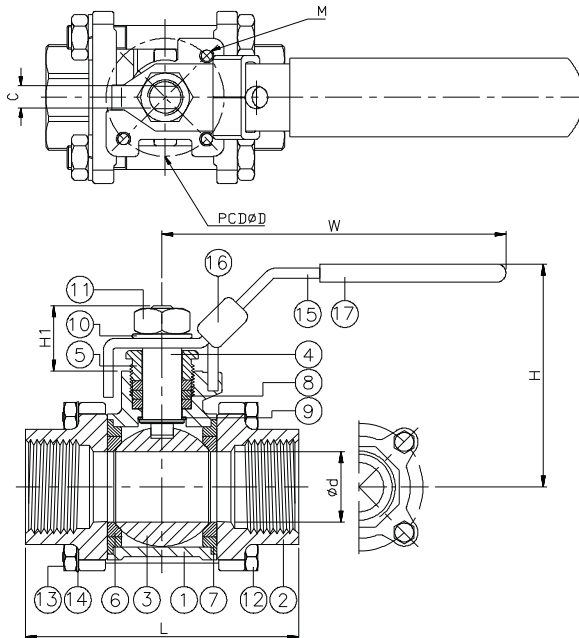


Screwed End Ball Valves

2013NM

1000 W.O.G. / PN 63 3-PIECE FULL PORT

VMTM2013NMRSS



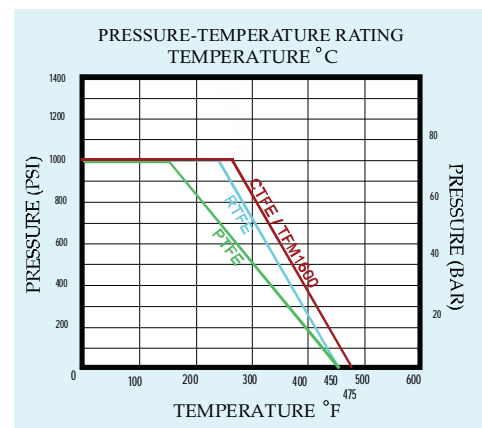
FEATURES

- Investment casting
- Blow-out proof stem
- Live-loaded design
- Anti-static device
- Easy lock handle
- ISO 5211 mounting pad

| ITEM | PARTS | MATERIAL | |
|------|---------------|----------------|-----|
| 1 | BODY | ASTM A351-CF8M | |
| 2 | CAP | | |
| 3 | BALL | | |
| 4 | STEM | ASTM A276-316 | |
| 5 | GLAND NUT | AISI 304 | |
| 6 | BALL SEAT | RTFE | |
| 7 | BODY SEAL | PTFE | |
| 8 | PACKING | | |
| 9 | THRUST WASHER | AISI 304 | |
| 10 | SPRING WASHER | | |
| 11 | STEM NUT | | |
| 12 | BOLT | | |
| 13 | NUT | | |
| 14 | SPRING WASHER | | |
| 15 | HANDLE | | |
| 16 | LOCK DEVICE | | |
| 17 | HANDLE SLEEVE | | PVC |

| PN63 | DN | d | L | H | H1 | W | C | D | M | ISO 5211 | S | Torque (N-M) | Weight (kg) |
|------|------|------|------|------|-----|-----|----|----|-----|-------------|------------|--------------|-------------|
| | 8 | 11.6 | 65 | 58.5 | 18 | 100 | 5 | 36 | M5 | F03 | 3/8"-24UNF | 7.5 | 0.35 |
| 10 | 12.5 | 65 | 58.5 | 18 | 100 | 5 | 36 | M5 | F03 | 3/8"-24UNF | 7.5 | 0.35 | |
| 15 | 15 | 65 | 62 | 18.5 | 100 | 5 | 36 | M5 | F03 | 3/8"-24UNF | 7.5 | 0.5 | |
| 20 | 20 | 75 | 62 | 22.5 | 125 | 6.5 | 36 | M5 | F03 | 7/16"-20UNF | 7.5 | 0.7 | |
| 25 | 25 | 85 | 77 | 25 | 149 | 7.9 | 42 | M5 | F04 | 7/16"-21UNF | 12.5 | 1 | |
| 32 | 32 | 101 | 82 | 26 | 149 | 7.9 | 42 | M5 | F04 | 7/16"-22UNF | 15 | 1.6 | |
| 40 | 38 | 112 | 100 | 30 | 190 | 10 | 50 | M6 | F05 | 1/2"-20UNC | 20 | 2.5 | |
| 50 | 50 | 130 | 108 | 30 | 190 | 10 | 50 | M6 | F05 | 1/2"-20UNC | 25 | 3.5 | |

| PN63 | NPS | d | L | H | H1 | W | C | D | M | ISO 5211 | S | Torque (in-lb) | Weight (lb) |
|--------|------|------|------|------|------|------|------|------|-----|-------------|------------|----------------|-------------|
| | 1/4" | 0.46 | 2.56 | 2.3 | 0.71 | 3.94 | 0.2 | 1.42 | M5 | F03 | 3/8"-24UNF | 66.38 | 0.77 |
| 3/8" | 0.49 | 2.56 | 2.3 | 0.71 | 3.94 | 0.2 | 1.42 | M5 | F03 | 3/8"-24UNF | 66.38 | 0.77 | |
| 1/2" | 0.59 | 2.56 | 2.44 | 0.73 | 3.94 | 0.2 | 1.42 | M5 | F03 | 3/8"-24UNF | 66.38 | 1.1 | |
| 3/4" | 0.79 | 2.95 | 2.44 | 0.89 | 4.92 | 0.26 | 1.42 | M5 | F03 | 7/16"-20UNF | 66.38 | 1.54 | |
| 1" | 0.98 | 3.35 | 3.03 | 0.98 | 5.87 | 0.31 | 1.65 | M5 | F04 | 7/16"-21UNF | 110.63 | 2.2 | |
| 1-1/4" | 1.26 | 3.98 | 3.23 | 1.02 | 5.87 | 0.31 | 1.65 | M5 | F04 | 7/16"-22UNF | 132.76 | 3.53 | |
| 1-1/2" | 1.5 | 4.41 | 3.94 | 1.18 | 7.48 | 0.39 | 1.97 | M6 | F05 | 1/2"-20UNC | 177.01 | 5.51 | |
| 2" | 1.97 | 5.12 | 4.25 | 1.18 | 7.48 | 0.39 | 1.97 | M6 | F05 | 1/2"-20UNC | 221.27 | 7.72 | |



Mid-States Supply Co Inc.
Process Piping / Automation / Controls / Steam Specialties / IT Solutions



www.MidcoOnline.com

Designed, engineered, and manufactured by Haitima Corp.

042110rv2