



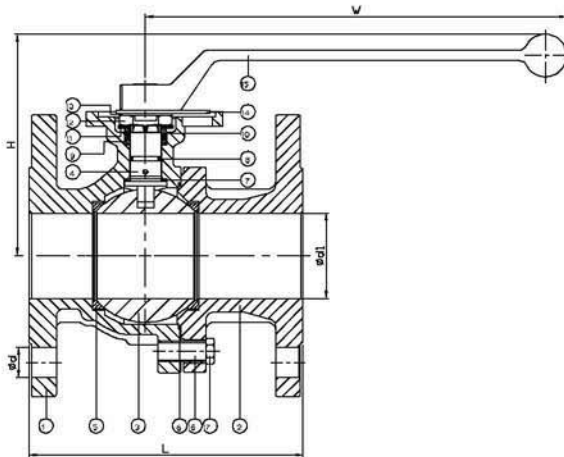
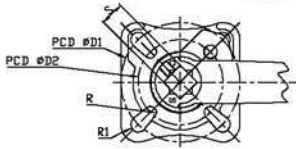
Flanged End Ball Valves

2020D

VMTM2020DF SS OR CS

ANSI 150 2-PIECE FULL PORT

★ API 607 Fire Safe Approved



FEATURES

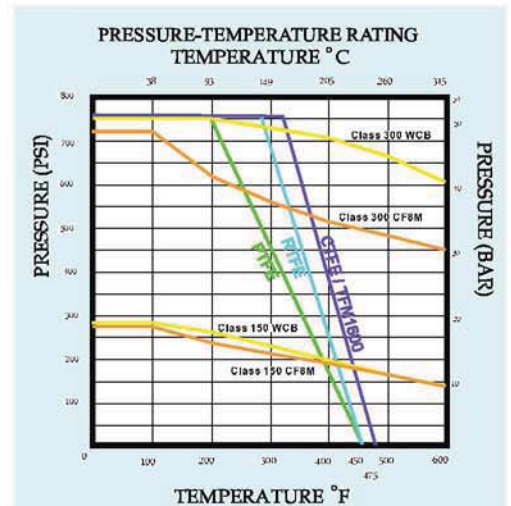
- Investment casting
- Blow-out proof stem
- Live-loaded design
- Anti-static device
- ISO 5211 direct mounting pad
- Flange dimension: ASME B16.5
- Face to face: ASME B16.10

- Pneumatic automation device (option)

ITEM	PARTS	MATERIAL
1	BODY	ASTM A351-CF8M / ASTM A216-WCB
2	CAP	
3	BALL	ASTM A351-CF8M
4	STEM	ASTM A276-316
5	SEAT	TFM
6	BODY SEAL	GRAPHITE
7	THRUST WASHER	CTFE
8	O-RING	VITON
9	PACKING	GRAPHITE
10	GLAND RING	AISI 304
11	BELLEVILLE WASHER	AISI 301
12	NUT	AISI 304
13	LOCK WASHER	
14	STOPPER	
15	HANDLE	
16	STUD	
17	NUT	

DN	D1	D2	d	d1	L	H	W	R	R1	S	Torque(N-M)		Weight (kg)
											Breakaway	Action	
15	42	36	14	15	108	86.2	197.5	2.75	2.75	9	8.5	6	1.68
20	42	36	14	20	117	90.7	197.5	2.75	2.75	9	12	8	2.08
25	50	42	14	24	127.5	96.9	197.5	2.75	3.5	11	15	11	3.22
32	50	42	18	30	140.5	99.9	197.5	2.75	3.5	11	15	13	3.72
40	70	50	18	38	165	124.2	247.5	3.5	4.5	14	30	16	5.98
50	70	50	18	50	178	132.2	247.5	3.5	4.5	14	32	18	8
65	102	70	18	64	190.5	162.5	340	4.5	5.5	17	82	58	14.5
80	102	70	18	76	203	169.5	340	4.5	5.5	17	100	60	18.24
100	125	102	18	100	229	194.8	340	5.5	6.5	22	138	85	29

NPS	D1	D2	d	d1	L	H	W	R	R1	S	Torque(in-b)		Weight (lb)
											Breakaway	Action	
1/2"	1.65	1.42	0.55	0.59	4.25	3.39	7.78	0.11	0.11	0.35	75.23	53.1	3.7
3/4"	1.65	1.42	0.55	0.79	4.61	3.57	7.78	0.11	0.11	0.35	106.21	70.81	4.59
1"	1.97	1.65	0.55	0.94	5.02	3.81	7.78	0.11	0.14	0.43	132.76	97.36	7.1
1-1/4"	1.97	1.65	0.71	1.18	5.53	3.93	7.78	0.11	0.14	0.43	132.76	115.06	8.2
1-1/2"	2.76	1.97	0.71	1.5	6.5	4.89	9.74	0.14	0.18	0.55	285.52	141.61	13.18
2"	2.76	1.97	0.71	1.97	7.01	5.2	9.74	0.14	0.18	0.55	283.22	159.31	17.64
2-1/2"	4.02	2.76	0.71	2.52	7.5	6.4	13.39	0.18	0.22	0.67	725.76	513.34	31.97
3"	4.02	2.76	0.71	2.99	7.99	6.67	13.39	0.18	0.22	0.67	885.07	531.04	40.21
4"	4.92	4.02	0.71	3.94	9.02	7.67	13.39	0.22	0.26	0.87	1221.4	752.31	63.93



Mid-States Supply Co Inc.

Process Piping / Automation / Controls / Steam Specialties / IT Solutions



www.MidcoOnline.com

Designed, engineered, and manufactured by Haitima Corp.

042110rv2