



Flanged End Ball Valves

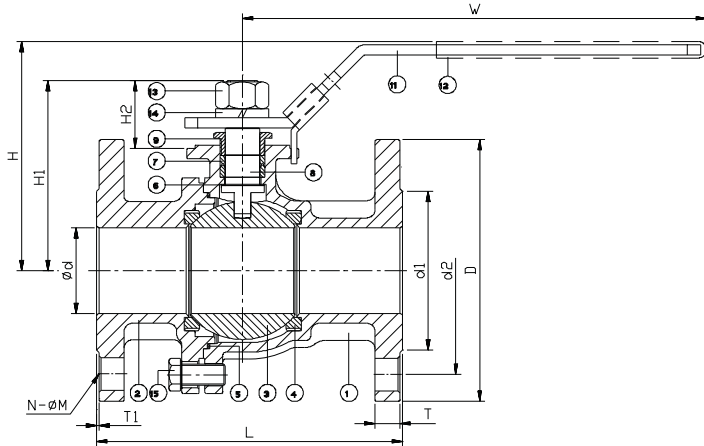
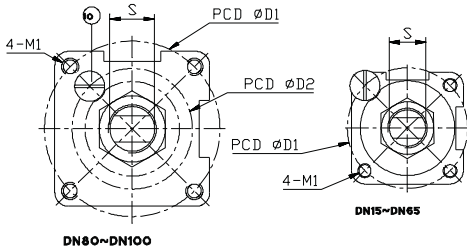
2020S

VMTM2020SFSS

Class 150 2-PIECE FULL PORT



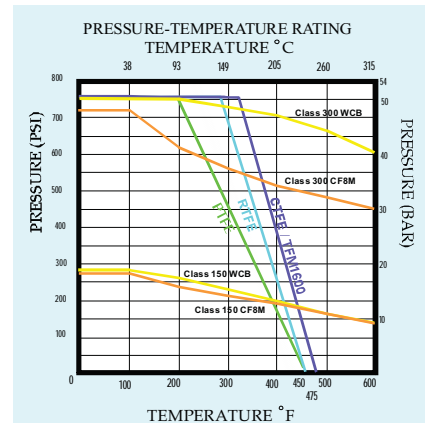
- ### FEATURES
- Investment casting
 - Blow-out proof stem
 - Anti-static device(option)
 - Lock device handle
 - ISO 5211 mounting pad
 - TA-Luft approved
 - Flange dimension: ASME B16.5
 - Face to face: ASME B16.10



ITEM	PARTS	MATERIAL
1	BODY	ASTM A351-CF8M
2	CAP	
3	BALL	
4	BALL SEAT	TFM
5	BODY SEAL	PTFE
6	THRUST WASHER	
7	PACKING	ASTM A276-316
8	STEM	
9	GLAND NUT	
10	STOP PIN	AISI 304
11	HANDLE	PVC
12	HANDLE SLEEVE	
13	STEM NUT	AISI 304
14	SPRING WASHER	
15	BOLT	

DN	d	L	T	T1	N	M	d1	d2	D	H	H1	H2	S	W	D1	D2	M1	Torque (N-M)	
																		Breakaway	Action
25	25	127	9.7	1.6	4	16	51	79	108	103	73.5	29	12.7	205.5	50	-	M6	6.5	4.5
40	38	165	12.7	1.6	4	16	73.2	98.6	127	130	102.9	39.4	19.05	267	70	-	M8	25	20
50	50	178	14.4	1.6	4	19.1	92	120.7	152	135	110.4	39.4	19.05	267	70	-	M8	38	30
65	65	190	16	1.6	4	19.1	104.6	139	178	147	122	38.6	19.05	289	70	-	M8	45	35
80	80	203	17.5	1.6	4	19.1	127	152	190	166	142	43	19.05	390	102	70	M10	61	50
100	100	228.5	22.4	1.6	8	19.1	157.2	190.5	228	181	157	43	19.05	390	102	70	M10	80	73

DN	d	L	T	T1	N	M	d1	d2	D	H	H1	H2	S	W	D1	D2	M1	Torque (lb-in)	
																		Breakaway	Action
1"	0.98	5	0.38	0.06	4	0.63	2.01	3.11	4.25	4.06	2.89	1.14	0.5	8.09	1.97	-	M6	57.53	39.83
1-1/2"	1.5	6.5	0.5	0.06	4	0.63	2.88	3.88	5	5.12	4.05	1.55	0.75	10.51	2.76	-	M8	221.27	177.01
2"	1.97	7.01	0.57	0.06	4	0.75	3.62	4.75	5.98	5.31	4.35	1.55	0.75	10.51	2.76	-	M8	336.33	265.52
2-1/2"	2.56	7.48	0.63	0.06	4	0.75	4.12	5.47	7.01	5.79	4.8	1.52	0.75	11.38	2.76	-	M8	398.28	309.77
3"	3.15	7.99	0.69	0.06	4	0.75	5	5.98	7.48	6.54	5.59	1.69	0.75	15.35	4.02	2.76	M10	539.89	442.54
4"	3.94	9	0.88	0.06	8	0.75	6.19	7.5	8.98	7.13	6.18	1.69	0.75	15.35	4.02	2.76	M10	708.06	646.1



Mid-States Supply Co Inc.

Process Piping / Automation / Controls / Steam Specialties / IT Solutions

www.MidcoOnline.com



Designed, engineered, and manufactured by Haitima Corp.

042110rv2